

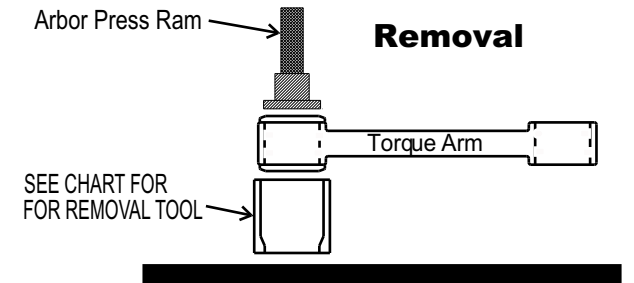
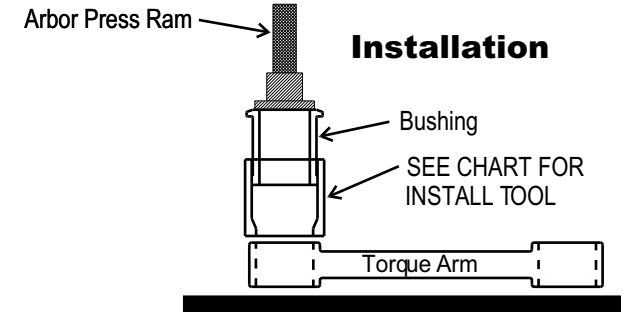
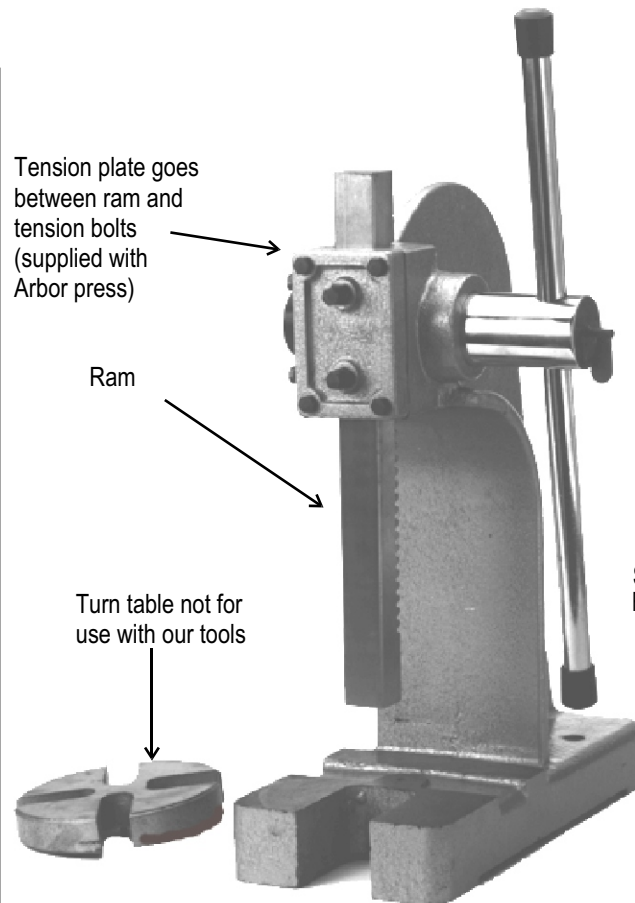
Universal Torque arm Instruction Sheet

These tools are to be used for installation and removal of polyurethane bushings only.

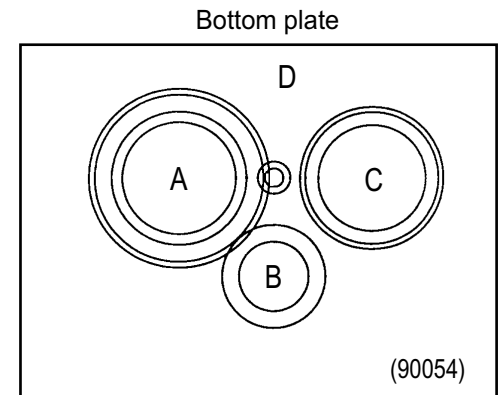
Not for use with rubber bushings.

Remove rubber bushings with hydraulic press.

1. Remove old rubber bushing.
 2. Deburr all sharp edges from pins before installing.
 3. Grease I.D. , O.D. and leading edge of polyurethane bushings.
 4. Refer to chart for proper tool selection and position.
 5. When installing polyurethane bushings, bounce the arbor press handle in the last part of the stroke to pop bushings into place.
 6. When installing and removing pins from polyurethane bushings, use position "B" or "C" on bottom plate .
 7. For removal of pin from polyurethane bushing. Use appropriate position bottom plate and supplied 2-3/4" long x 7/8" O.D. sleeve.
- NOTE:** Some bushings use an outer metal shell. The outer shell must be removed.
- NOTE:** Your tools may vary in shape and size.
- NOTE:** When installing the center pin, the bushing will grow out of the opposite end because of pre-load. Push center pin 1/4" past center. Turn torque arm over and push pin back to center while supporting bottom of bushing.
- ENERGY SUSPENSION** torque arm bushings are full floating. When they are installed and working on the vehicle the bushings will find their own center.



For installation and removal of polyurethane bushings



Set number	Bottom plate Position		Bushing part #	Tool # used for press ram	Tool # for installation and removal
	Install	Remove			
90.7003	D	D	70003	90050	90007
90.7011	D	A	70014	90055	90008
90.7001	D	A	70001	90055	90008
90.7008	D	A	70008	90046	90009
90.7002	D	A	70002	90046	90009

© 2007 Energy Suspension. All rights reserved.
 May not be reproduced, in any form, or by any means,
 without the written consent of Energy Suspension.